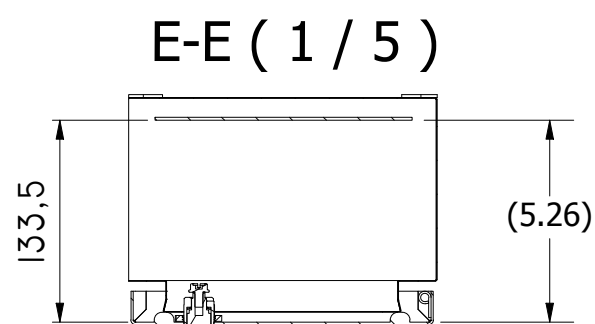
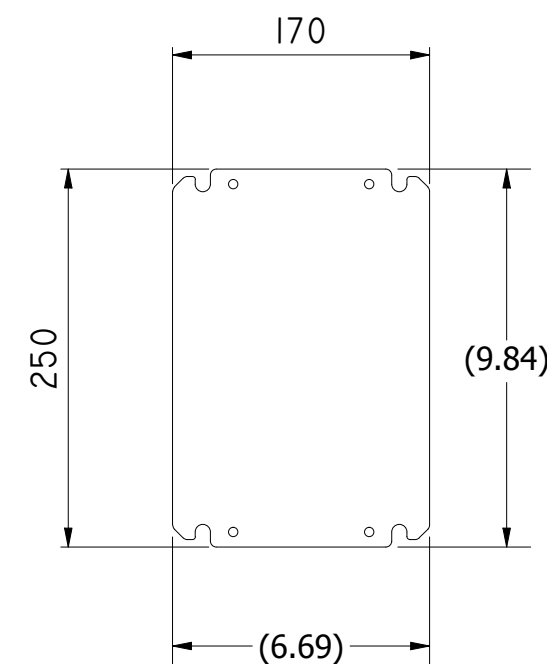
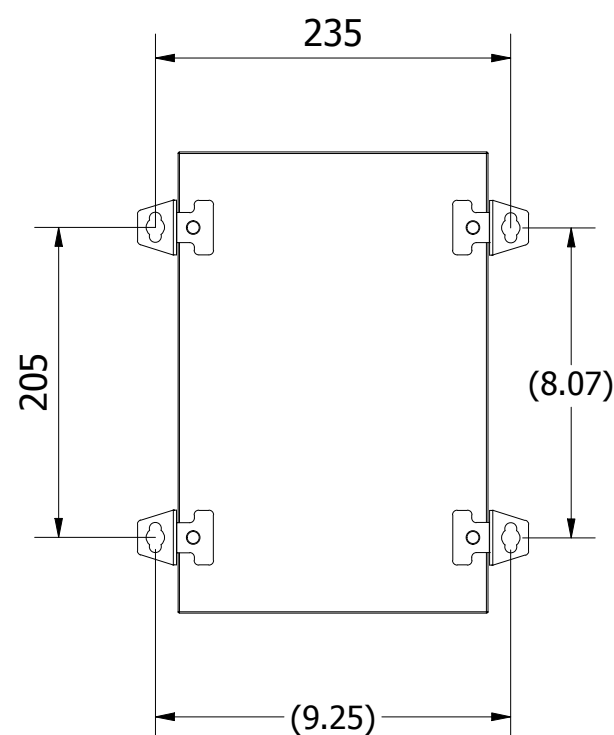
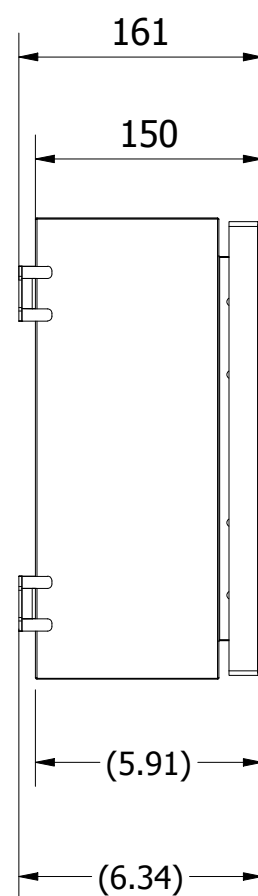
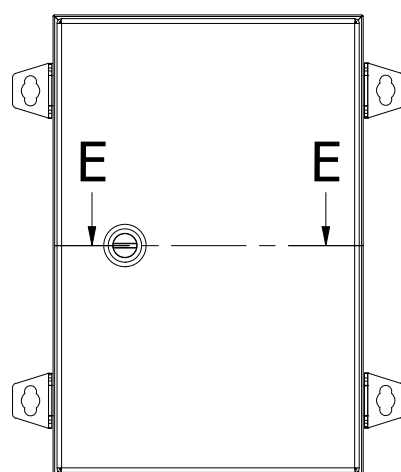
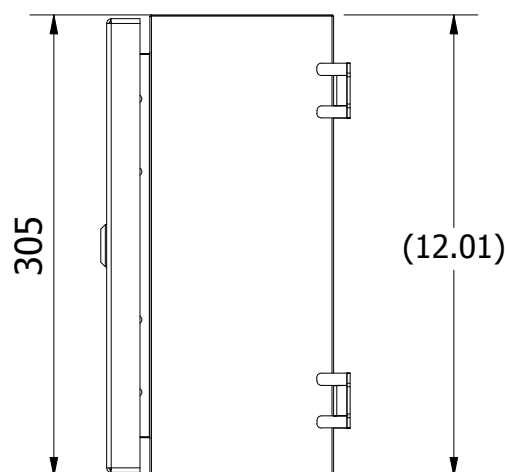
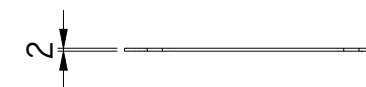
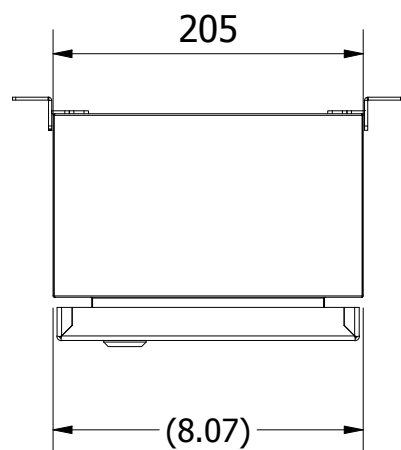


DIMENSIONS IN MM (INCHES)

Wall mounting enclosure with blind or PVC window, front door hinged, whit/without deadfront. The full-welded body is supplied with a galvanized mounting panel, 2mm (14ga) thick.



Material: Mild steel 1,5 mm thickness	
Painting: Powder coating	
28020	Scala 1/5
Standard Colors: RAL7032 textured; RAL7035 upon request	
Protection category and Approvals: IP66 EN 60 529 - IK10 EN 62 262	
UL/CUL type,1,12,4	