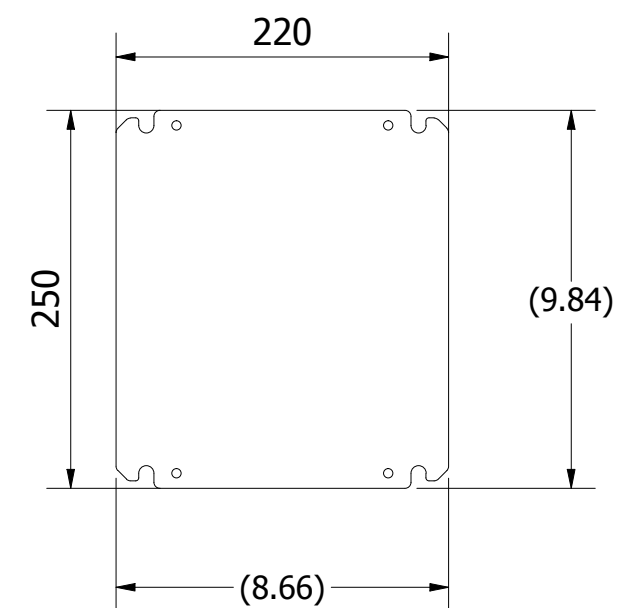
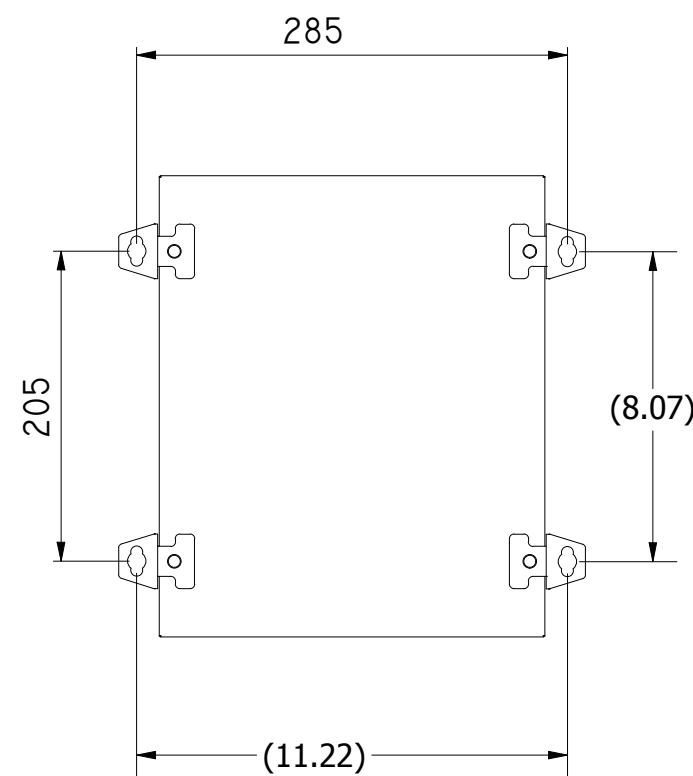
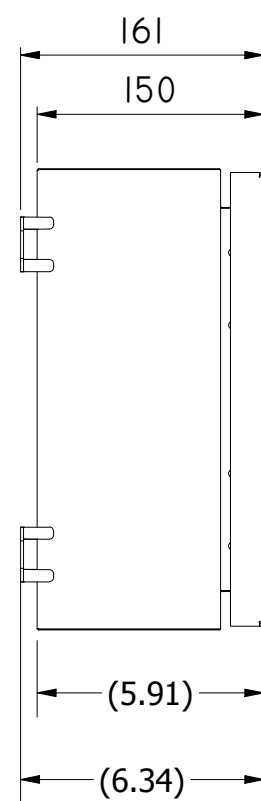
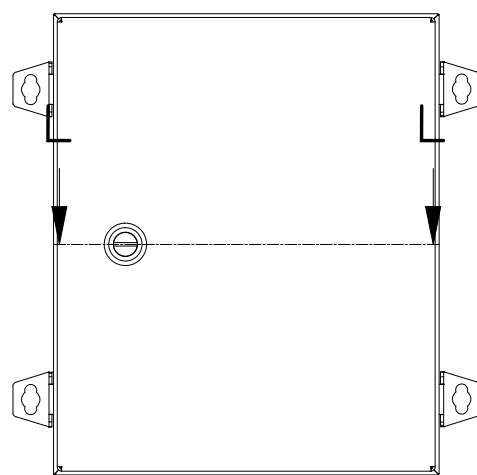
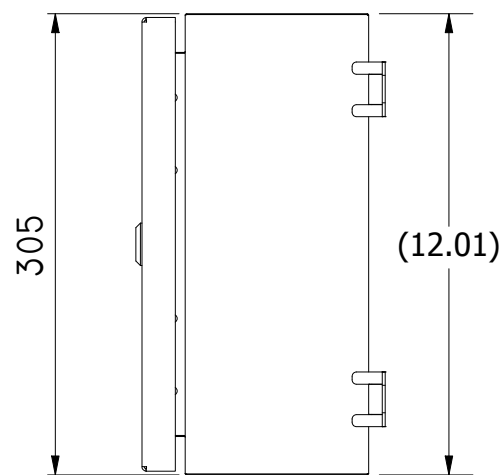
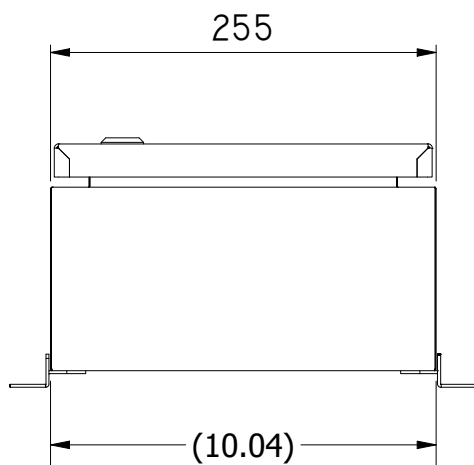
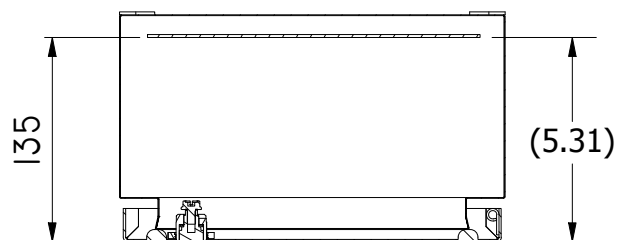


**DIMENSIONS IN MM (INCHES)**

Wall mounting enclosure with blind or PVC window, front door hinged, with/without deadfront. The full-welded body is supplied with a galvanized mounting panel, 2 mm (14ga) thick.



L-L ( 1 / 5 )



<b>Material:</b> Mild steel 1,5 mm thickness (16ga) thickness		
<b>Painting:</b> Powder coating		
28035	Scala 1/5	
<b>Standar Colors:</b> RAL 7032 textured; RAL7035 upon request		
<b>Protection category and Approvals:</b> IP66 EN 60 529 - IK10 EN 62 262		
		UL/CuL TYPE,1,12,4