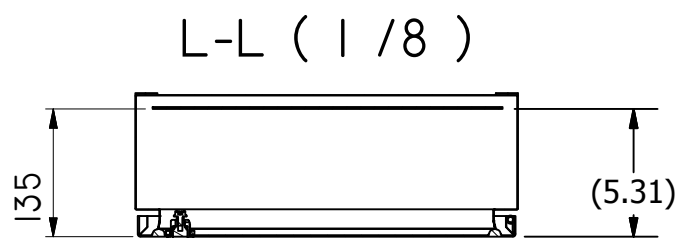
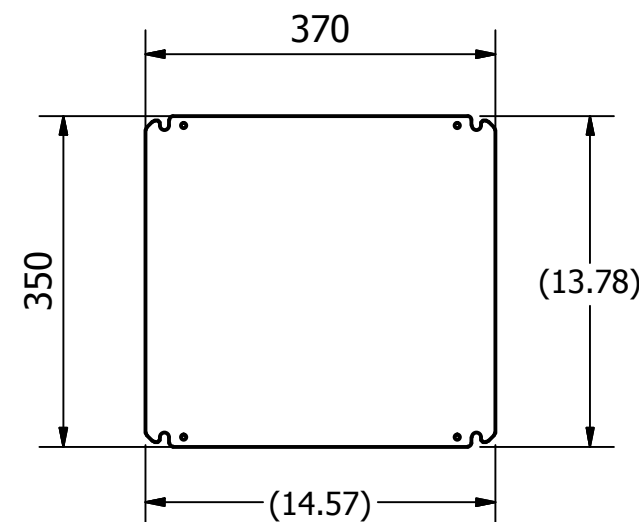
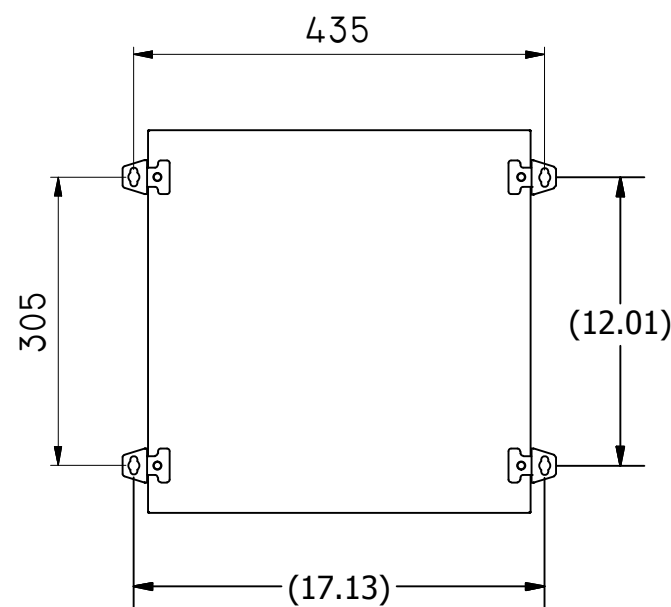
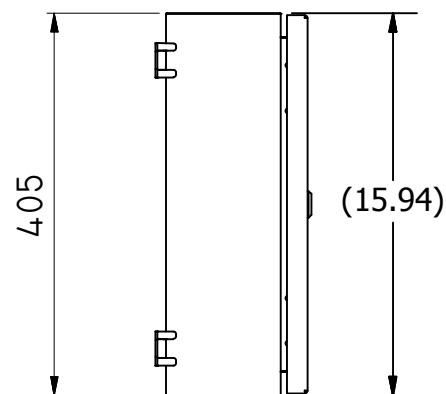
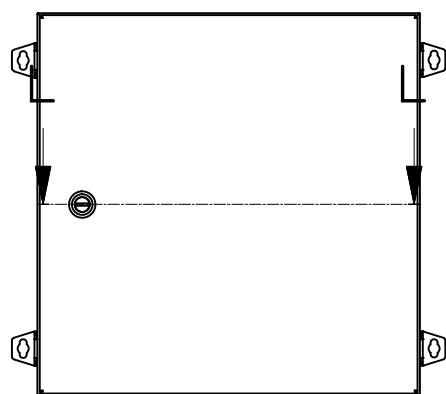
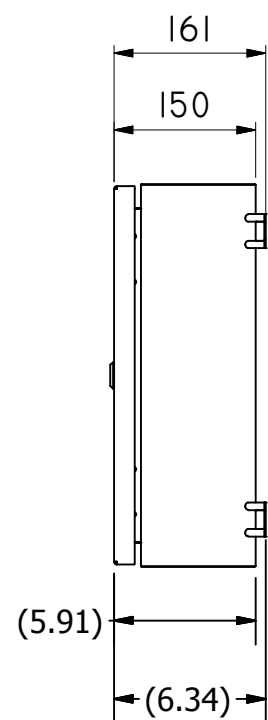
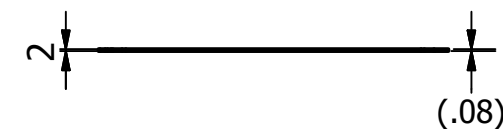
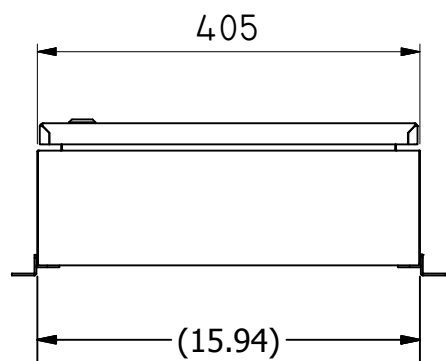


DIMENSIONS IN MM (INCHES)

Wall mounting enclosure with blind or PVC window, front door hinged, with/without deadfront. The full-welded body is supplied with a galvanized mounting panel, 2 mm (14ga) thick.



Material: Mild steel 1,5 mm thickness (16ga) thickness	
Painting: Powder coatin	
28100	Scala 1/8
Standar Colors: RAL 7035 textured	
Protection category and Approvals: IP66 EN 60 529 - IK10 EN 62 262	
UL/CuL TYPE,1,12,4	