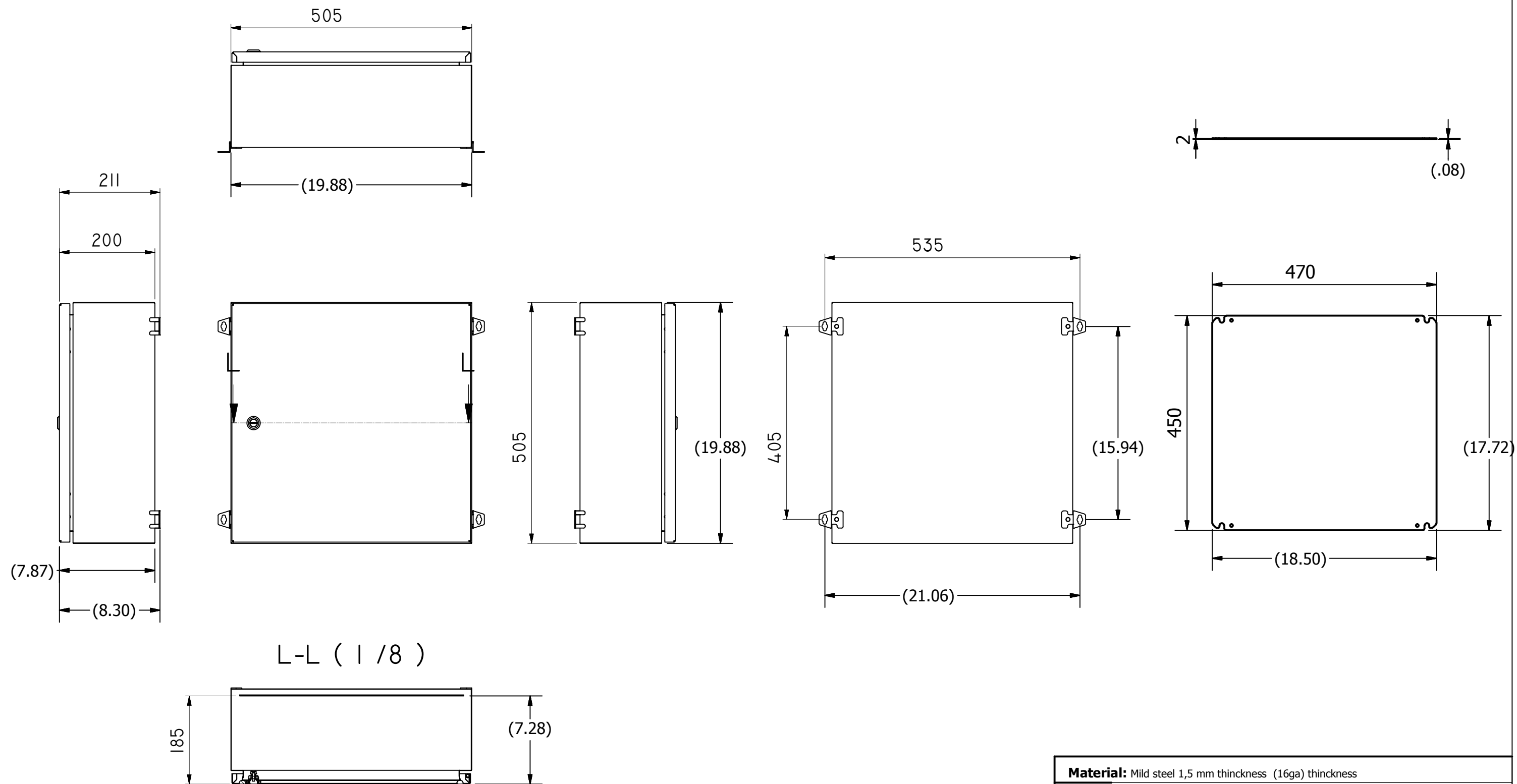


DIMENSIONS IN MM (INCHES)

Wall mounting enclosure with blind or PVC window, front door hinged, with/without deadfront. The full-welded body is supplied with a galvanized mounting panel, 2 mm (14ga) thick.



| | |
|--|--------------|
| Material: Mild steel 1,5 mm thickness (16ga) thickness | |
| Painting: Powder coating | |
| 28135 | Scala 1/8 |
| Standar Colors: RAL 7035 textured | |
| Protection category and Approvals: IP66 EN 60 529 - IK10 EN 62 262 | |
| UL/CuL TYPE,1,12,4 | |